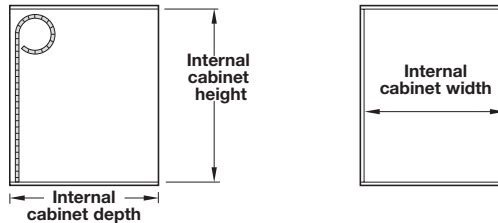
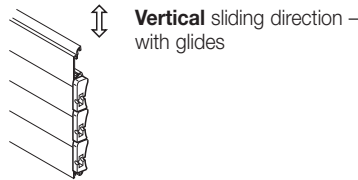
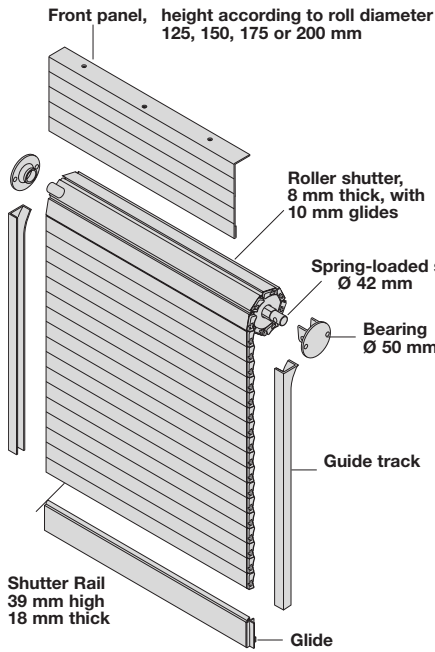


Custom Aluminum Roller Shutters

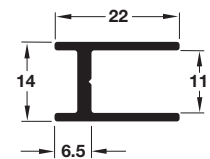
Version C



The internal cabinet width will reduce by 44 mm or 30 mm due to guide tracks, see below.



Guide tracks from 1000 mm internal cabinet width,



Version C			
	18 mm	24 mm	24 mm Double Wall
Width	382-1000 mm	382-1400 mm	382-1400 mm
Height	300-1500 mm	300-2000 mm	300-2000 mm

Prefabricated shutters - custom order

Precut to length, prepared for installation. Consisting of roller shutter profile including joint seal, shutter rail with glides, guide tracks, spring-loaded shaft, pinion gears and bearings and front panel.

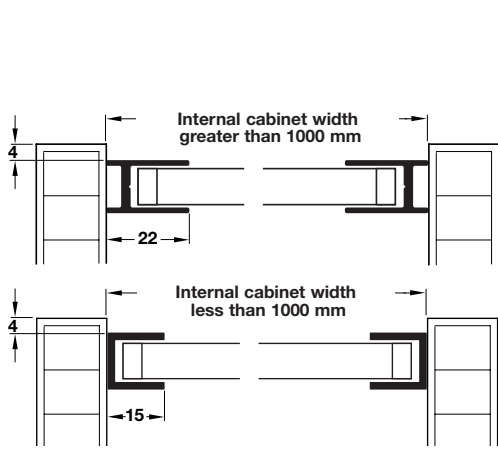
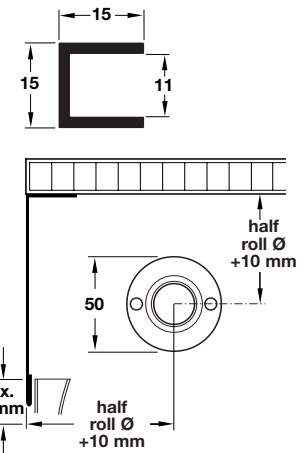
Material: Profile: aluminum
 Bearing: steel, plastic, white
 Shaft: steel/aluminum

Color	18 mm	24 mm	24 mm, double-walled
silver colored anodized	442.72.90x	442.72.91x	442.72.92x
brushed, stainless steel colored anodized	442.72.00x	442.72.01x	442.72.02x

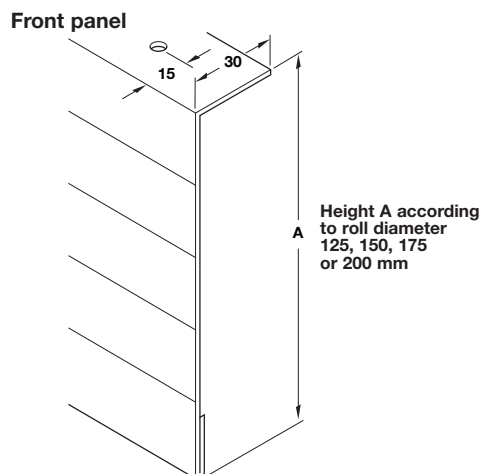
When ordering please reference the order guide on page 793.



Less than 1000 mm internal cabinet width



Tracks to be drilled by customer with countersunk hole



Profile height	Ø spring-loaded shaft	internal cabinet height							
		300	500	750	1000	1250	1500	1750	2000
results in roll diameter (for wound up roller shutter) of about:									
18	42	85	100	120	120	140	160	160	175
24	42	85	100	120	140	140	160	165	175
24 dbl.-walled	42	105	120	120	140	140	160	160	175

Dimensional data not binding. We reserve the right to alter specifications without notice.

Dimensions in mm
Inches are approximate